

INSTALLATION GUIDE

Our Luxe 'Cube' range of individual heated towel rails are available in left or right wiring options. All of the rails require the purchase of the transformer separately. A licenced electrician is required to install these rails correctly and to ensure your product warranty is not voided.

Dimensions . 800 x 100 x 40mm

Material . 304 grade stainless steel

Wiring . Option of left or right

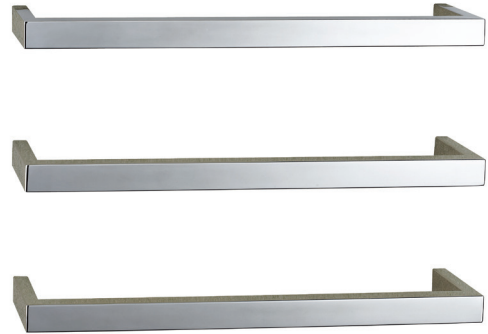
Power Supply . 12 Volts AC, 50Hz

Wattage . 21W

Finish . Polished Stainless Steel, Black or White

Transformer . LXTRAN-60W for up to 2 rails,
LXTRAN-105W for up to 4 rails

International Protection Rating . IP45



CUBE 800 HEATED TOWEL RAIL

HEATED TOWEL RAILS

These rails are designed to be fixed to solid framework or masonry walls. Please do not install into plasterboard. This also excludes the use of any wall mate or toggle device.

Please note

The LXTRAN-60W transformer is suitable for use with up to 2 heated towel rails. When installing up to 4 rails, please use the LXTRAN-105W.

INSTALLATION KIT

- 1 x Heated Towel Rail
- 1 x Allen Key
- 2 x Fixing Screws
- 2 x Rawl Plugs
- 1 x Transformer (***sold separately***)

TOOLS REQUIRED

- Spirit Level
- Cordless Drill
- Drill Bit
- Pencil

STEP 1 | FIXING THE TRANSFORMER IN POSITION

1. This product operates with 12V and the transformer supplied must be installed by a licenced electrician. The transformer must be positioned within 2 metres of the towel rails. The LXTRAN-60W transformer can operate up to a maximum of 2 rails. If there are up to 4 rails, the LXTRAN-105W transformer is required. All heated towel rails must be connected in parallel. We recommend the transformer be positioned in an easy to locate and serviceable position.

Note: Warranty claims will be void and service charges will apply if transformer is not easily accessible for a service agent. Servicing will be at cost to the customer.

2. Check the rail for left or right wiring. Run a maximum 2 metres of wiring to the desired point of the rail on the wall making sure to note the side of the wiring on the rail. Drill a hole at the desired point large enough to fit the wiring through (refer to the wiring compartment dimensions on page 4 to ensure you don't drill the wiring through at the rail fixing position). Poke the wiring through and blank off the wiring. (Complete this process prior to the final sheeting and tiling taking place and be sure to leave the wires safe) Leave an ample length of wire to allow for connection.

Note: The position on the wall in which the wiring is protruding will determine the location of the installed rail.

STEP 2 | FIXING THE RAILS TO THE WALL

1. Measure the distance between the centres of the two fixing lugs while still secured in the rail. Using the level, mark the undersides of the finished rail on the wall. Please refer to the wire compartment dimensions on page 4 for the exact lug location in the rail.
2. Using an appropriate drill bit, drill the desired holes into the wall.
3. Insert rawl plugs provided if required and screw the fixing lugs firm into the wall using the fixing screws provided.
4. Using a licensed electrician connect the wiring in the rail to the wiring protruding from the wall. Test the rail for up to 15 minutes to feel the rail heat up to a desired temperature (warm to the touch). Once tested you can now slide the rails' cradles over the fixing lugs and tighten up the grub screws. Be sure to check there is no dust or sawdust in the ends of the rail before finally securing it to the wall.

Thank you for installing the Luxe Heated Towel Rails.

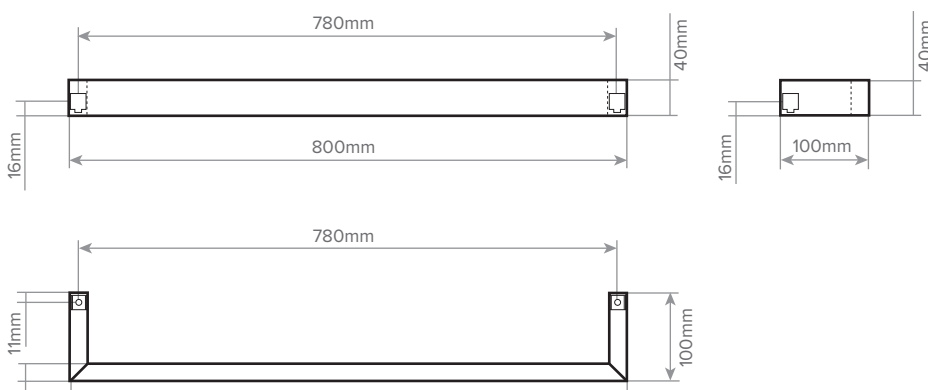
WARRANTY

Luxe warrant the material properties of all of our stainless steel products for 10 years. Colour Finishes are guaranteed for 5 years. Electrical wiring is guaranteed for 5 years. Electrical transformers are guaranteed for 12 months. These guarantees only relate to the products and do not relate to installation. In addition to this warranty, legislation (including Australian Consumer Law) may give you certain rights which cannot be excluded, restricted or modified, this warranty must be read subject to such legislation and nothing in this warranty has the effect of excluding, restricting or modifying those rights.

DISCLAIMER

Failure to strictly comply with the enclosed instructions will result in forfeiture of the warranty by the user. The manufacturer will not accept responsibility for loss or damage whatsoever resulting from the use of this product, unless in strict compliance with the installation instructions.

CUBE 800 RAIL DIMENSIONS



Please note

Due to potential product variances, we recommend you measure the length of each individual rail provided and make any minor adjustments necessary to your installation procedure.

LUXE
BY DESIGN

www.luxebydesign.com.au

E | sales@luxebydesign.com.au
P | 07 3265 7133 F | 07 3865 1252
28/388 Newman Road, Geebung QLD 4034