



INSET & UNDERMOUNT COLLECTION

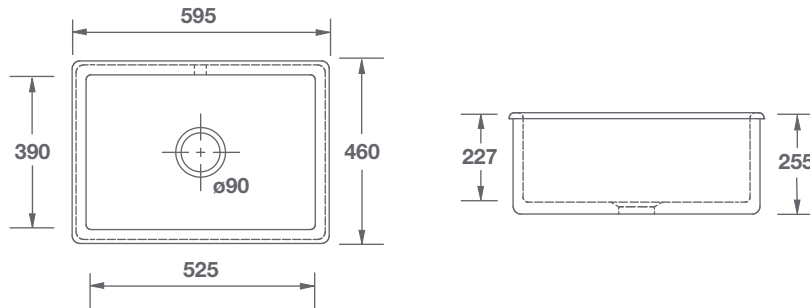
- INSET 600 -



FEATURES

Inset or undermount sink. Round overflow. Central 90mm waste outlet suitable for basket strainer or waste disposer. Lifetime warranty.

All our sinks come in gloss white as standard.



Product	Code	Dimensions					
			W	D	H	Waste	Weight
Inset 600	SCIN595WH	(mm)	595	460	255	90	50kg
		(in)	23½	18	10	3½	

PLEASE NOTE: Our sink dimensions can vary by a plus or minus of 2%, as they are hand-made and shrink during firing. We therefore recommend that your kitchen fitter is aware of this and that no work surfaces or cabinets are cut before measuring your sink. Due to the handcrafted nature and weight of our sinks, we also recommend a specialist kitchen fitter installs your sink and that it is properly supported.

For expert advice or to purchase, please contact our Customer Service Team on 07 3265 7133
Alternatively, we can be contacted via email at sales@luxebydesign.com.au