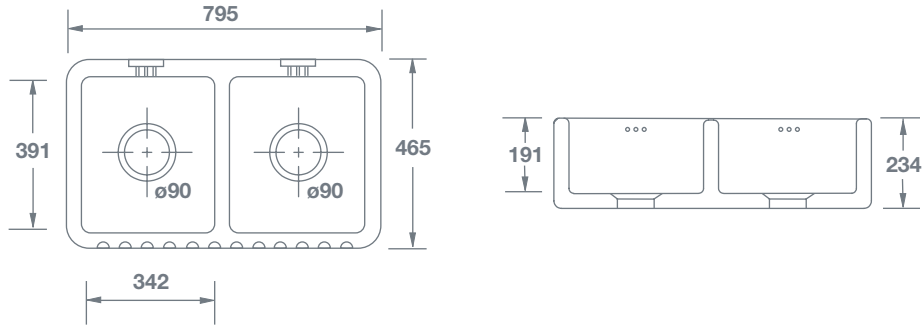


# Ribchester 800



		Dimensions					
 Ribchester 800 White with 3 hole overflows	SO0800010WH	(mm)	795	465	234	90	70



**PLEASE NOTE**, our sink dimensions can vary by a plus or minus of 2%, as they are hand-made and shrink during firing. We therefore recommend that your kitchen fitter is aware of this and that no work surfaces or cabinets are cut before measuring your individual sink. Due to the handcrafted nature and weight of our sinks, we also recommend a specialist kitchen fitter installs your sink and that it is properly supported.

**Features include:**

- Double bowl apron-front sink with central dividing wall.
- Distinctive fluted front.
- 3 hole overflows.
- Central 90mm waste outlets suitable for basket strainers or waste disposers.
- Chrome 90mm basket strainers included as standard. Special finishes available, sold separately.
- Suits sink grid Type 4 (FT0400010).