

victoria ⊕ albert®

volcanic limestone baths



CORVARA



Corvara

A freestanding bath is the hallmark of a luxury bathroom. A sculptural centrepiece that evokes relaxation and indulgence.

Introducing Victoria + Albert's new Corvara bath and matching basin.

Created by Victoria + Albert's design team, the Corvara is an elegant, smaller freestanding bath that doesn't compromise design or comfort.

Named after Corvara in the heart of the Italian Dolomites, a mountain village sought out for its clean air and breathtaking views, Corvara is for those seeking a retreat from the stress and strain of everyday life.





The design is a blend of clean lines and smooth curves, creating a cradle-like space to recline and relax. At a compact 1500mm, the Corvara is a statement bath that won't dominate a room. Together with its matching basin, the Corvara's natural, organic shape elicits a feeling of calm and serenity.

The Corvara collection has been designed with ease of installation in mind.

The bath features a 115mm void to aid installation.

The complimentary basin, Corvara 55, has a sleek internal overflow for peace of mind.



Our material

QUARRYCAST™ is made from finely ground Volcanic Limestone™ mixed with resin. As the stone-rich alternative to both cast iron and acrylic, it is 100% one piece, hand finished and packed with naturally desirable properties.

Corvara is available in Victoria + Albert's signature gloss or 100% matt finish.

Find out more at www.vandabaths.com

Gloss



Matt



Paint finishes

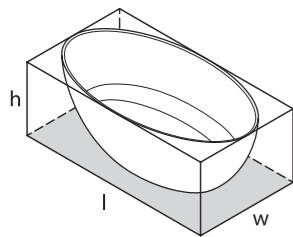
The bath and basin can be further personalised with a range of 194 external RAL colours, in gloss or matt finishes.



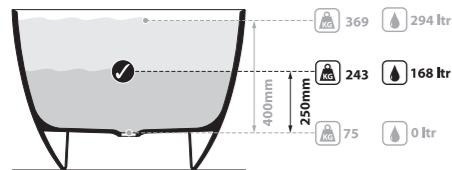
RAL 9005 Matt

Corvara

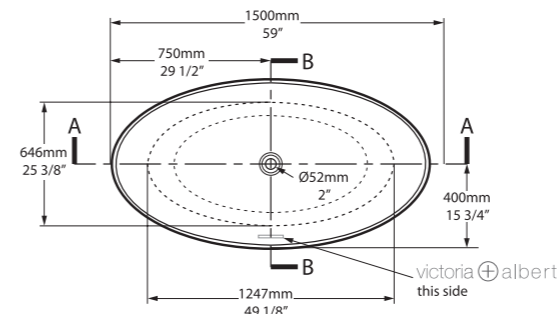
Gloss COR-N-SW-NO
 Matt CORM-N-SM-NO



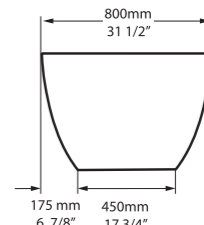
l = 1500mm / 59"
w = 800mm / 31 1/2"
h = 547mm / 21 1/2"



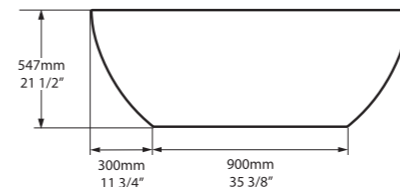
Recommended wastes: K-12-xx



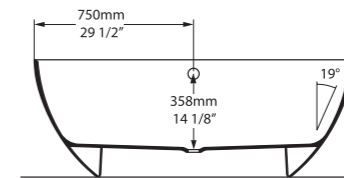
Top view



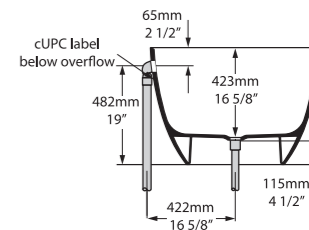
Front view



Side view



Section AA



Section BB

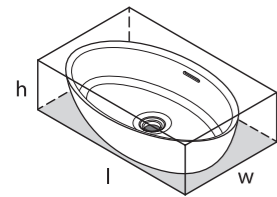
*All measurements subject to +/-5% tolerance

Note: All baths in Australia come standard **without** an overflow.

Corvara 55

Gloss VB-COR-55-IO

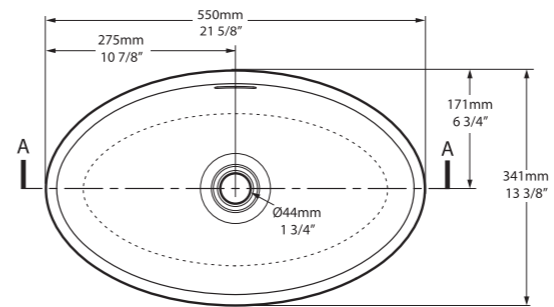
Matt VB-COR55M-SM-IO



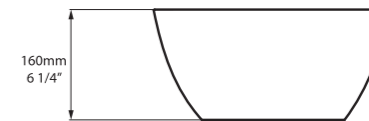
l = 550mm / 21⁵/₈"
w = 341mm / 13³/₈"
h = 160mm / 6¹/₄"



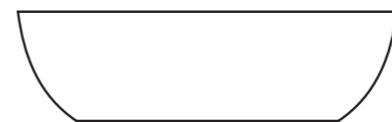
Recommended wastes: K-25-xx



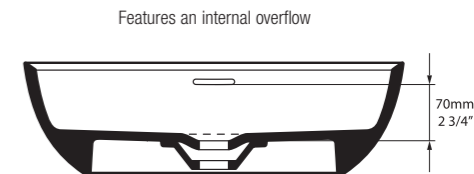
Top view



Side view



Front view



Section AA

*All measurements subject to +/-5% tolerance

victoria ⊕ albert®

Victoria + Albert (Australia) PTY Ltd

PO Box 405, Morisset, NSW 2264
Australia

Tel: 1300 737 779
sales@vandabaths.com.au

Distribution partners:

Eastern Seaboard, Northern Territory & Tasmania:

Luxe by Design
30 French Avenue, Brendale, QLD 4500
Australia


Tel: (07) 3265 7133
sales@luxebymdesign.com.au

West & South Australia

Gro Agencies PTY Ltd
2/37 Howe Street, Osborne Park, WA 6017
Australia

Tel: (08) 9446 3288
info@groagencies.com.au

www.vandabaths.com

 **@victoria_albert_baths**

 **@Vanda_Baths**

 **Victoria+Albert Baths**

Victoria + Albert® is the trading name of the Domotec (Europe) Ltd Group:
Victoria + Albert Baths Ltd - Telford, UK, Group Head Office
Victoria + Albert Baths Ltd - London, UK
Victoria + Albert Bath LLC - Ladson, USA
Victoria + Albert Products (PTY) Ltd - Worcester, South Africa
Victoria + Albert Bath Canada Ltd - Toronto, Canada
Victoria + Albert (Australia) PTY Ltd - Sydney, Australia