

DESCRIPTION

- Universal bath waste kit

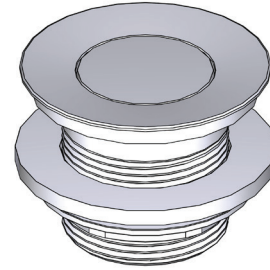
STANDARDS

- WMTS 040 (2022)

WARRANTY

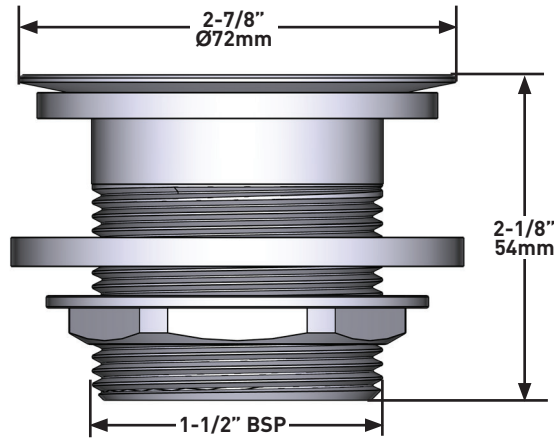
- Bath waste products have been tested to a load rating of 100kg. Any load above 100kg may affect the product warranty
- Visit www.vandabaths.com for further information

SPECIFICATIONS



Drain Kit

MODELS: K-12 Series



For care and cleaning, product warranty, and additional information contact:

US Customers

U.S.A.
houseofrohl.com/support
1-800-777-9762

Canadian Customers

Quebec / Maritimes / Western Canada
Québec / Maritimes / Ouest Canadien
Quebec / Maritimos / Canada Occidental
houseofrohl.ca/support
1-866-473-8442

Ontario
houseofrohl.ca/support
1-800-287-5354

EMEA Customers

United Kingdom
www.houseofrohl.uk
+44 (0) 1952 221 100