

SPECIFICATIONS

SHAPE

- Oval

SIZE

- Length: 568mm, Width: 431mm, Height: 197mm

MATERIAL

- QUARRYCAST™

WEIGHT

- 6.9kg

CAPACITY

- 11.8L

INSTALLATION TYPE

- Undermount

DRAIN

- Includes an Internal Overflow
- Waste kit required and sold separately

STANDARDS

- IAPMO pending

WARRANTY

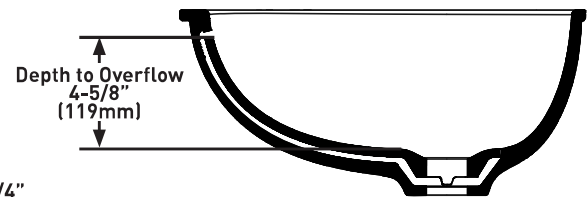
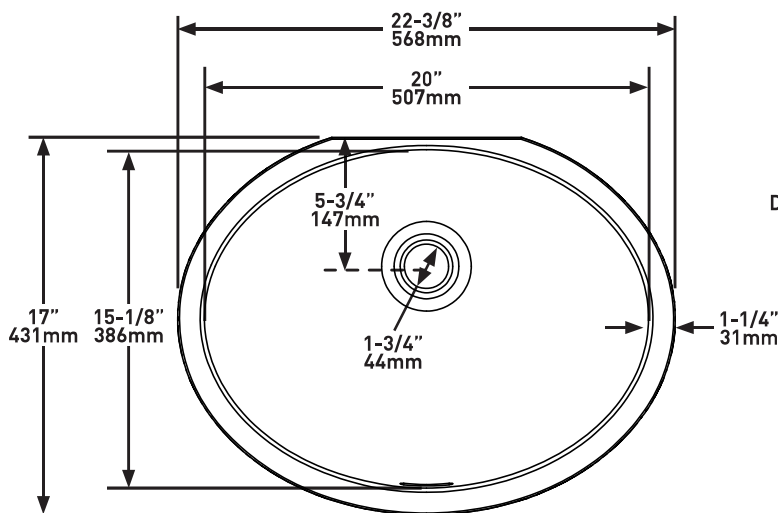
- 25 years residential
- 8 years commercial
- See www.vandabaths.com for further information



LACENO™ 56

Undermount Oval Basin

MODELS: UB-LAC-56-I0
UB-LAC56M-SM-I0



For care and cleaning, product warranty, and additional information contact:

US Customers

U.S.A.
houseofrohl.com/support
1-800-777-9762

Canadian Customers

QUEBEC / MARITIMES / WESTERN CANADA
QUÉBEC / MARITIMES / OUEST CANADIEN
QUEBEC / MARITIMOS / CANADA OCCIDENTAL
houseofrohl.ca/support
1-866-473-8442

EMEA Customers

vandabaths.com
+44 (0) 1952 221 100